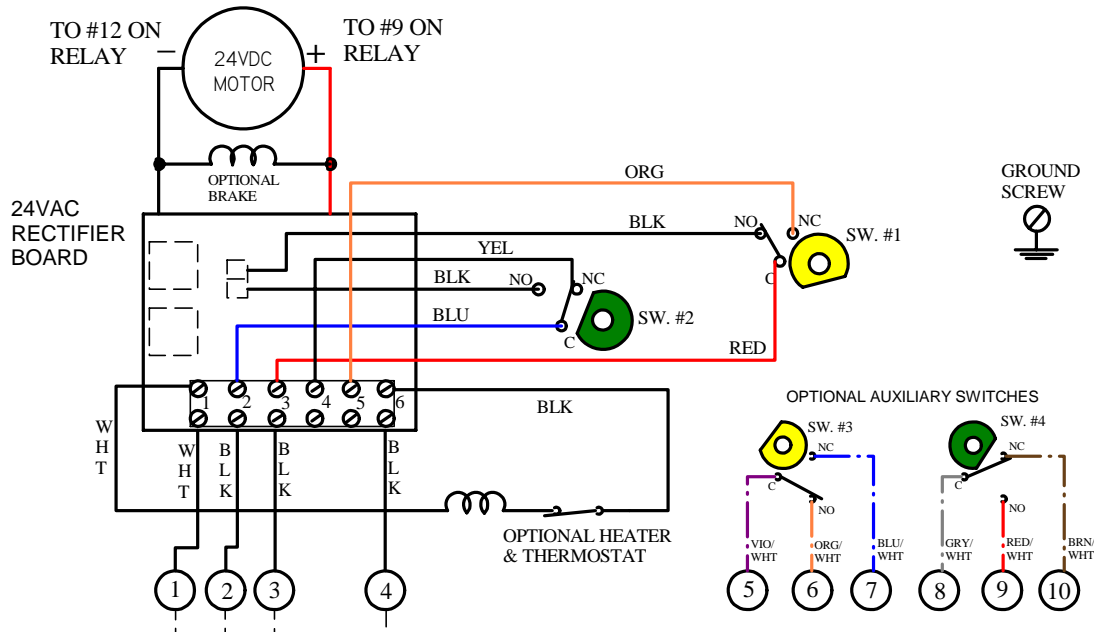
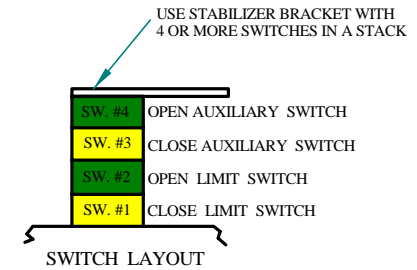


ACTUATOR SHOWN IN OPEN POSITION



REV.	DESCRIPTION	DATE	BY
1	CHANGED AUX. SWITCH WIRE COLORS; ADD STABILZ	26APR16	WJR
2	MODIFIED NOTE-REMOVED "SD & MH" SPECIAL WIRE	01MAR21	WJR



SPDT CONTROL SWITCH SHOWN FOR ILLUSTRATION ONLY

N HOT  
 24V.A.C. SUPPLY POWER

### FIELD WIRING

NOTES:  
 POWER TO TERMINALS ONE & TWO OPENS THE VALVE (CCW ROTATION)  
 POWER TO TERMINALS ONE & THREE CLOSES THE VALVE (CW ROTATION)  
 TERMINAL 4 FOR HEATER CONNECTION.  
 TERMINALS 5 THROUGH 10 FOR AUXILIARY SWITCH CONNECTIONS.

**MOTOR WIRE RELAY CONNECTIONS:**  
 RED (+) PIN 9 ON RELAY & BLACK (-) PIN 12 ON RELAY.

WIRING DIAGRAM, 24VAC M & L SERIES ACTUATOR WITH 2 AUXILIARY SWITCHES & OPTIONAL HEATER / THERMOSTAT

**I C I Indelac Controls, Inc** 06NOV13 WJR  
 Florence, Ky. 41042  
**W131106B**